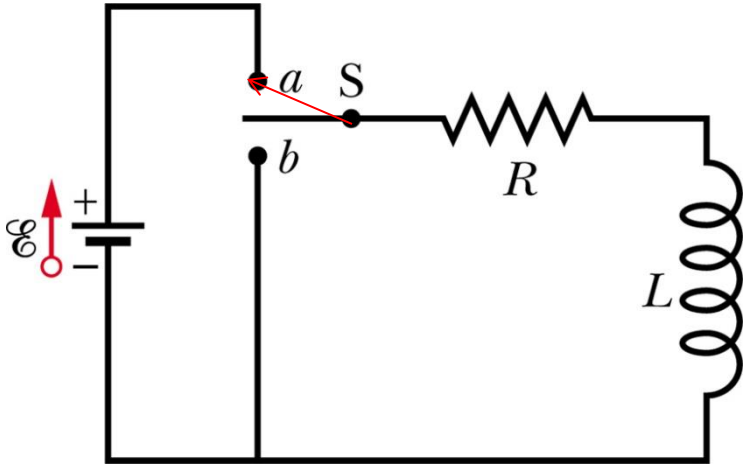


Copyright statement

- The images and the pictures in this lecture are provided by the CDs accompanied by the books
 1. University Physics, Bauer and Westfall, McGraw-Hill, 2011.
 2. Principles of Physics, Halliday, Resnick, and Walker, Wiley, 8th and 9th Ed.
- The rest is made by me.

RL circuit

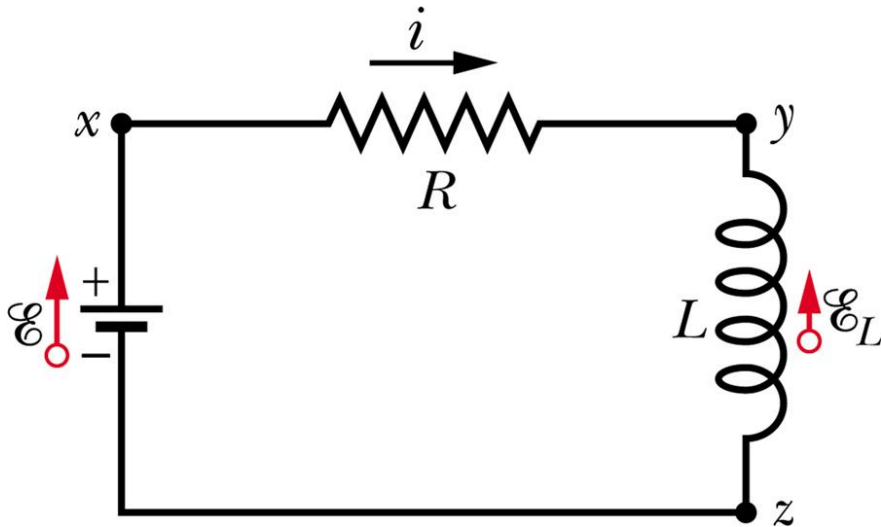


$$-iR - L \frac{di}{dt} + \mathcal{E} = 0$$

$$L \frac{di}{dt} + Ri = \mathcal{E}$$

$$i(t) = \frac{\mathcal{E}}{R} \left(1 - e^{-Rt/L} \right)$$

time constant $\tau_L = \frac{L}{R}$



$$\text{H}/\Omega = \text{H}/\Omega \frac{\text{V} \cdot \text{s}}{\text{H} \cdot \text{A}} \frac{\Omega \cdot \text{A}}{\text{V}} = \text{s}$$

$$\mathcal{E}_L = -L \frac{di}{dt}$$

$$V = iR$$

Energy stored in a magnetic field

$$\mathcal{E} = L \frac{di}{dt} + iR$$

$$\mathcal{E}i = Li \frac{di}{dt} + i^2 R$$

기전력이 회로에
공급하는 일률

저항에서 열에너지로
방출되는 비율

자기장에 저장되는 에너지의 비율

$$\frac{dU_B}{dt} = Li \frac{di}{dt} \longrightarrow dU_B = Lidi$$

$$U_B = \frac{1}{2} Li^2$$

Example

$$L = 53\text{mH}, R = 0.53\Omega, E = 12\text{V}$$

1. Magnetic energy

$$U_B = \frac{1}{2} Li_\infty^2 = \frac{1}{2} L(E/R)^2 = 31\text{J}$$

2. 에너지가 반으로 줄어드는 시간

$$U_B = \frac{1}{2} U_{B\infty}$$

$$\frac{1}{2} Li^2 = \frac{1}{2} \left(\frac{1}{2} Li_\infty^2 \right)$$

$$\therefore i = i_\infty / \sqrt{2}$$

$$\begin{aligned} i &= \frac{E}{R} \left(1 - e^{-\frac{t}{L/R}} \right) \\ &= \frac{i_\infty}{\sqrt{2}} = \frac{1}{\sqrt{2}} \left(\frac{E}{R} \right) \end{aligned}$$

$$\begin{aligned} t &= -\ln \left(1 - \frac{1}{\sqrt{2}} \right) \tau_L \\ &= 1.2\tau_L \end{aligned}$$

Energy density of a magnetic field

단면적 A , 길이 1인 솔레노이드를 고려하자.

$$u_B = \frac{U_B}{Al}$$

$$U_B = \frac{1}{2}Li^2$$

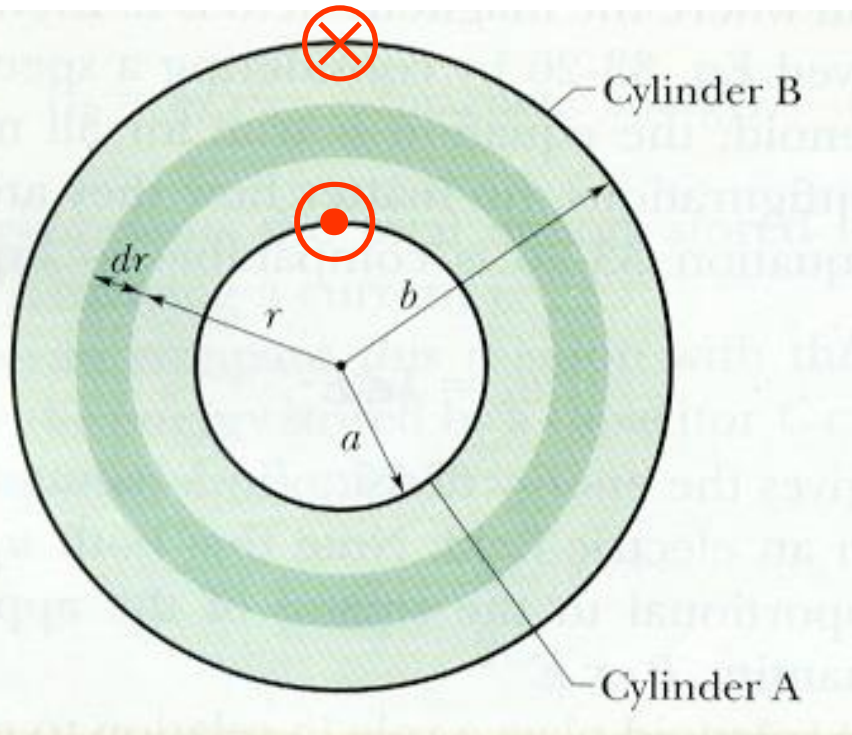
$$u_B = \frac{Li^2}{2Al} = \frac{L}{l} \frac{i^2}{2A} = \frac{1}{2}\mu_0 n^2 i^2$$

$$B = \mu_0 n i$$

$$u_B = \frac{B^2}{2\mu_0}$$

$$u_E = \frac{1}{2}\epsilon_0 E^2$$

Example



$$u_B = \frac{B^2}{2\mu_0} = \frac{1}{2\mu_0} \left(\frac{\mu_0 i}{2\pi r} \right)^2$$

$$dU_B = u_B dV = \frac{\mu_0 i^2}{8\pi^2 r^2} (2\pi r) dr$$

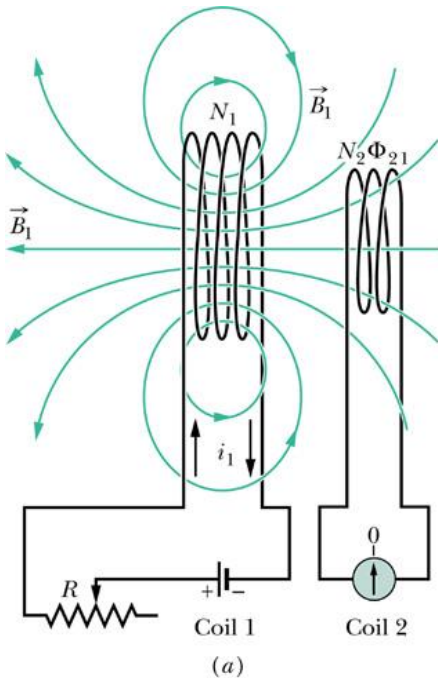
$$U_B = \int dU_B = \frac{\mu_0 i^2 l}{4\pi} \int_a^b \frac{dr}{r}$$

$$= \frac{\mu_0 i^2 l}{4\pi} \ln \frac{b}{a}$$

$$\oint \mathbf{B} \cdot d\mathbf{A} = \mu_0 i$$

$$B(2\pi r) = \mu_0 i$$

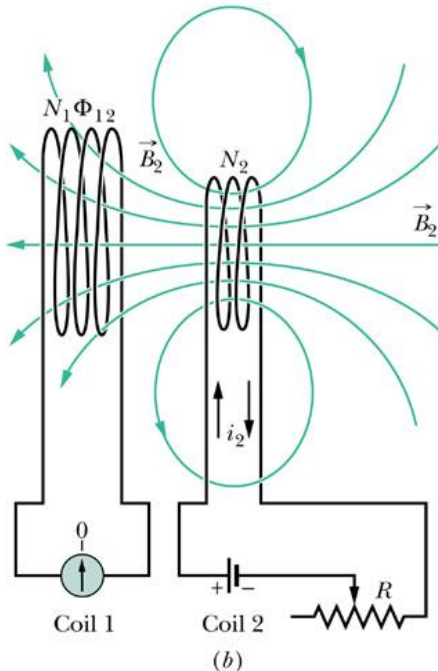
Mutual inductance



코일 1에 대한 코일 2의 상호유도용량 $M_{21} = \frac{N_2\Phi_{21}}{i_1}$

$$M_{21}i_1 = N_2\Phi_{21}$$

$$M_{21} \frac{di_1}{dt} = N_2 \frac{d\Phi_{21}}{dt} \quad \mathcal{E}_2 = -M_{21} \frac{di_1}{dt}$$

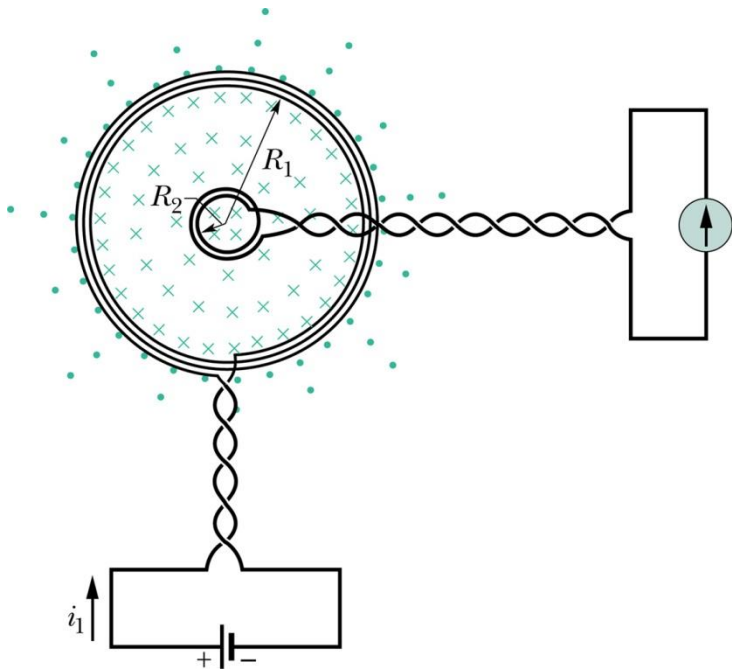


Likewise $\mathcal{E}_1 = -M_{12} \frac{di_2}{dt}$

$$M_{12} = M_{21} = M$$

$$\mathcal{E}_2 = -M \frac{di_1}{dt}, \quad \mathcal{E}_1 = -M \frac{di_2}{dt}$$

Example



$$M = \frac{N_2 \Phi_{21}}{i_1} \quad \Phi_{21} = B_1 A_2$$

$$B(z) = \frac{\mu_0 i R^2}{2(R^2 + z^2)^{3/2}}$$

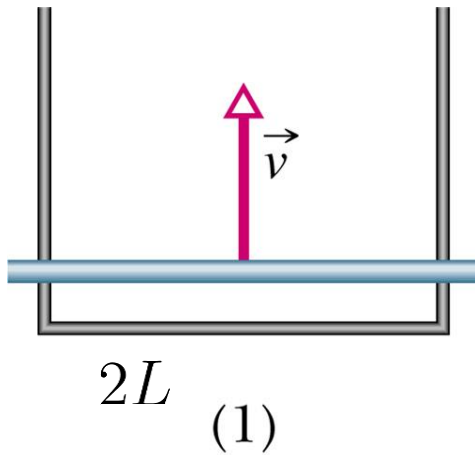
$$B_1 = N_1 \frac{\mu_0 i_1}{2R_1}$$

$$N_2 \Phi_{21} = \frac{\pi \mu_0 N_1 N_2 R_2^2 i_1}{2R_1}$$

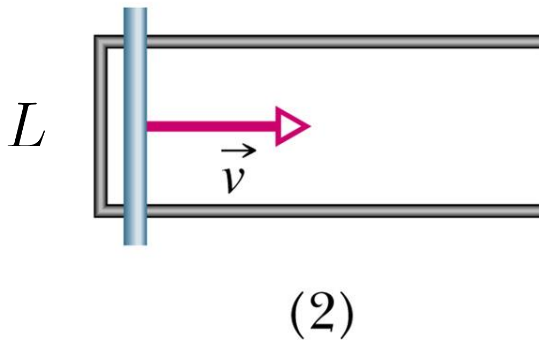
$$M = \frac{N_2 \Phi_{21}}{i_1} = \frac{\pi \mu_0 N_1 N_2 R_2^2}{2R_1}$$

Question

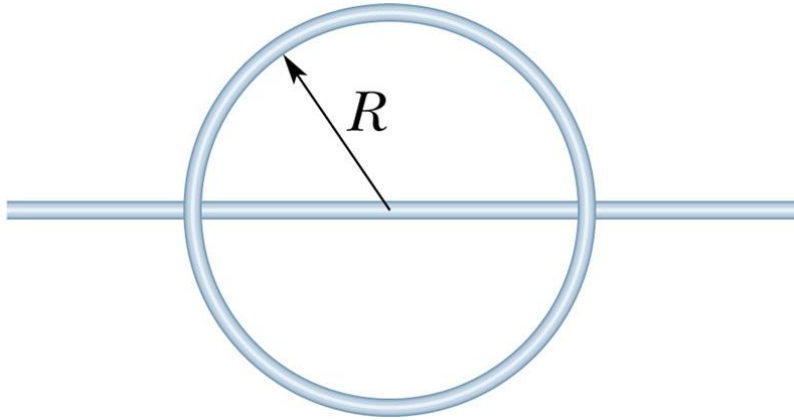
(1) Counterclockwise induced current



- (a) Direction of the magnetic field?
- (b) Direction of the current in Circuit 2?
- (c) Emf in 1, and 2. Which is larger?



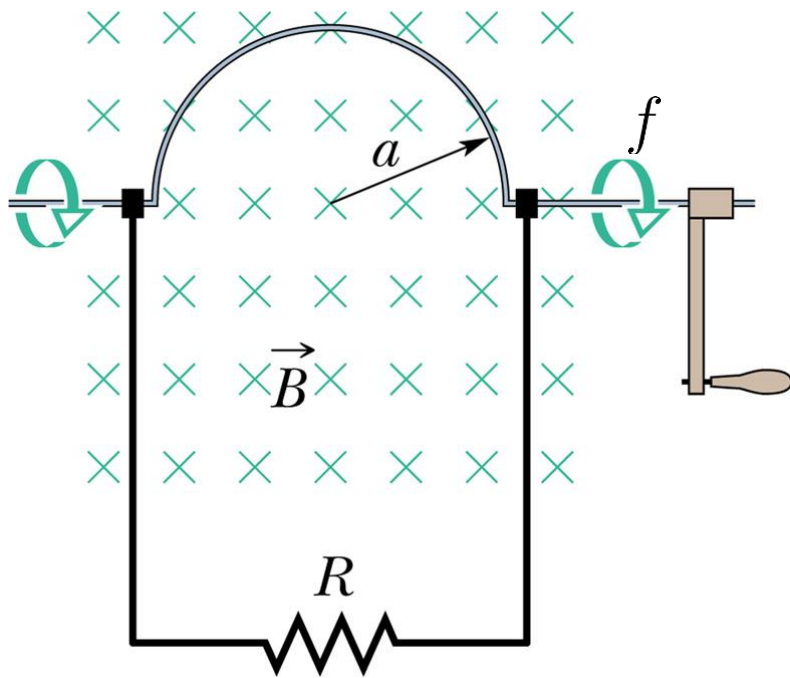
Problem



$$R = 2.0 \text{ m}, 4.0\Omega$$

$$i(t) = 5.0 \text{ A} - (2.0 \text{ A/s}^2)t^2$$

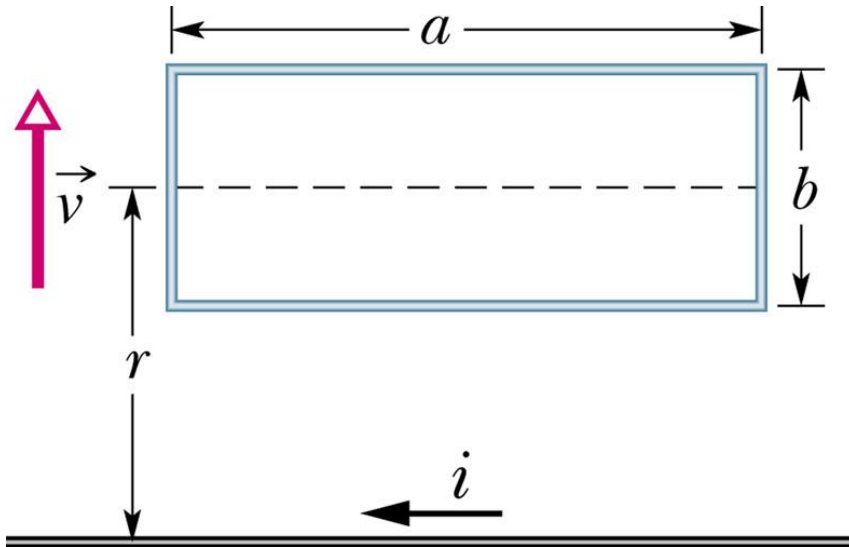
Problem



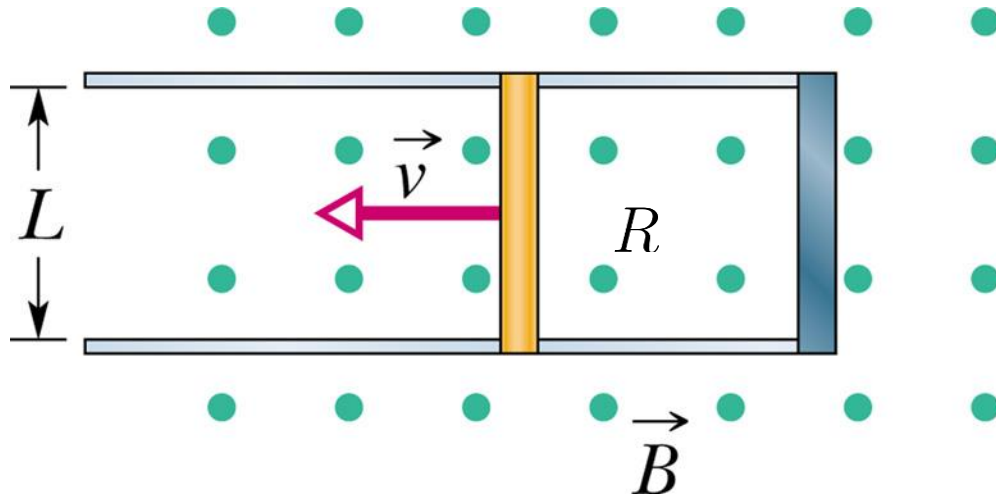
- (a) frequency
- (b) amplitude of the EMF

$$a = 2.0 \text{ cm}, \quad B = 20 \text{ mT}$$

Problem

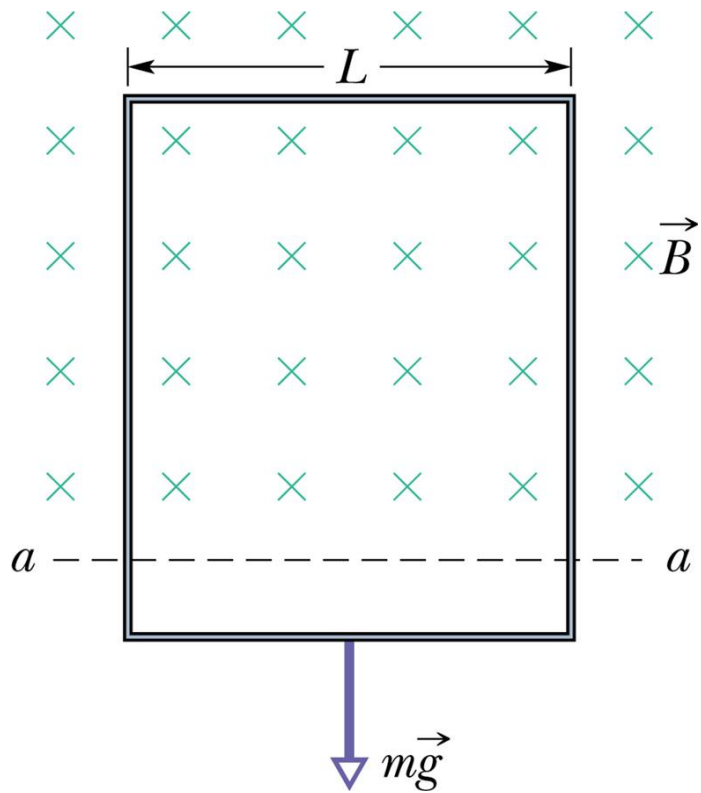


Problem

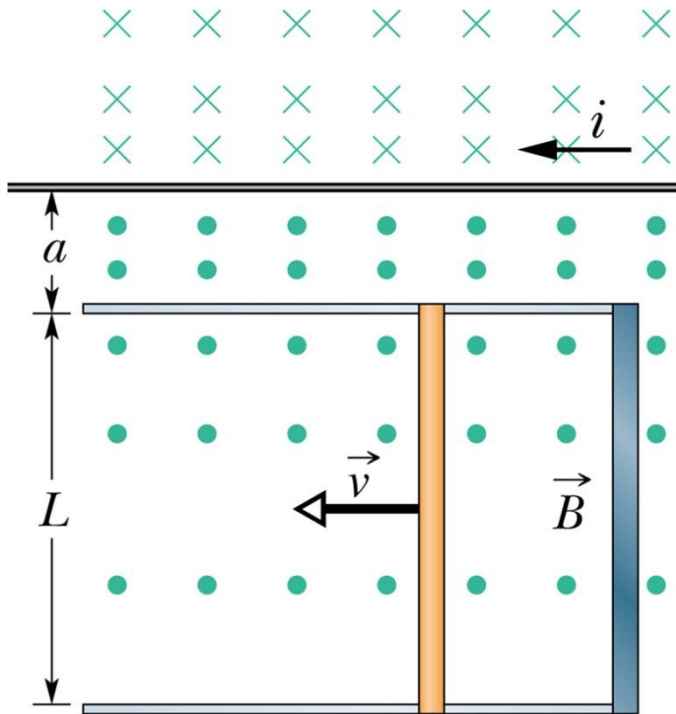


- (a) Emf
- (b) Current
- (c) Thermal energy per unit time

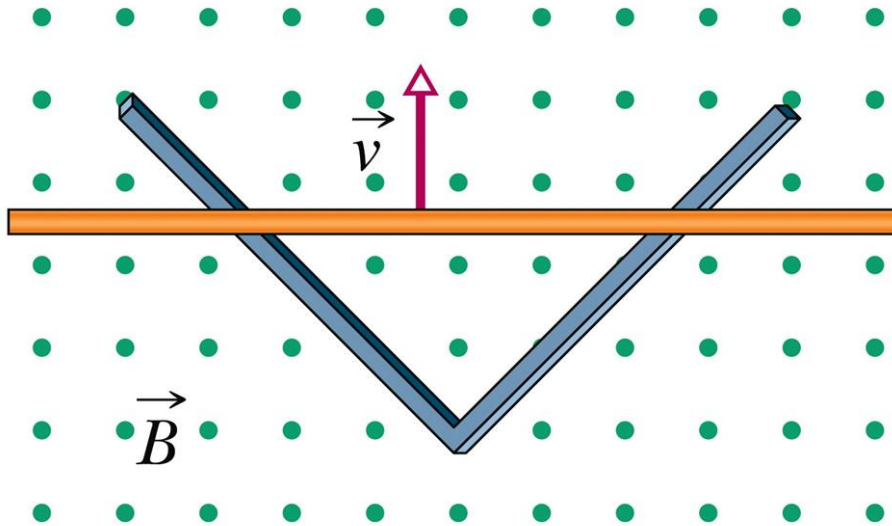
Problem



Problem

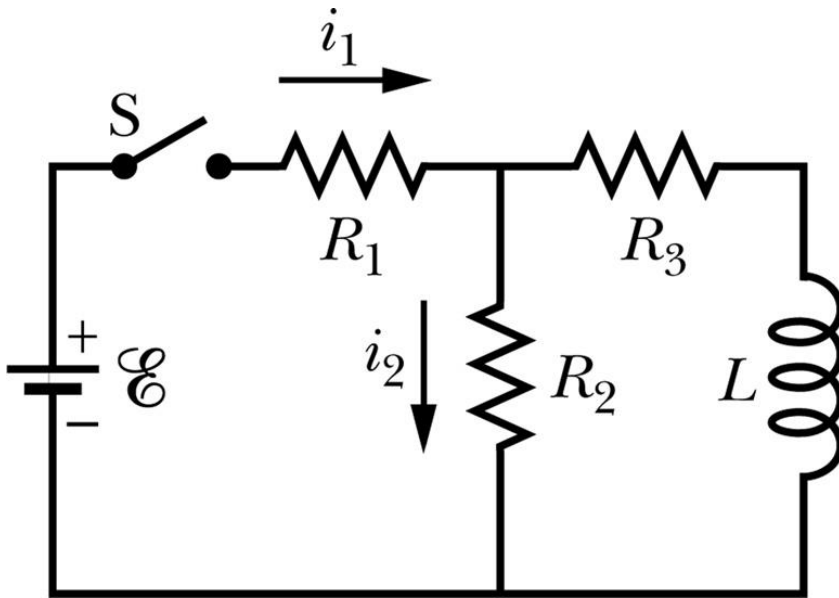


Problem



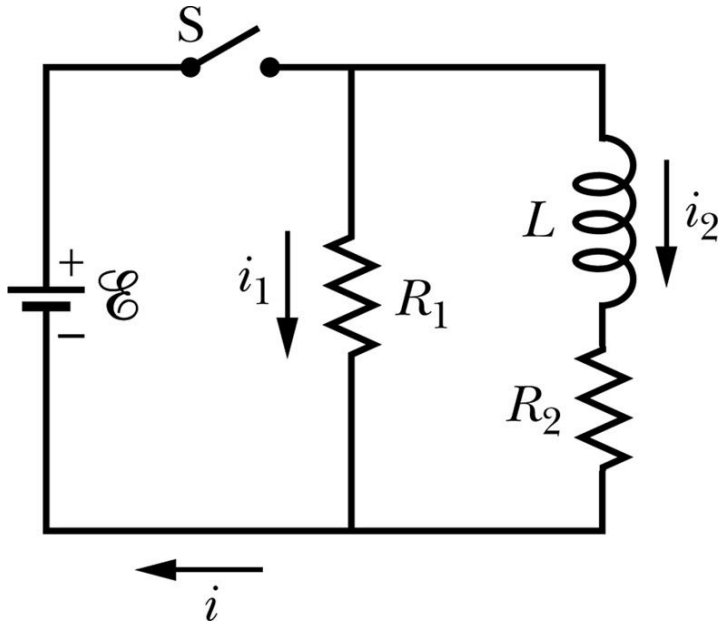
$$\mathcal{E} = at^n, \quad n = ?$$

Problem

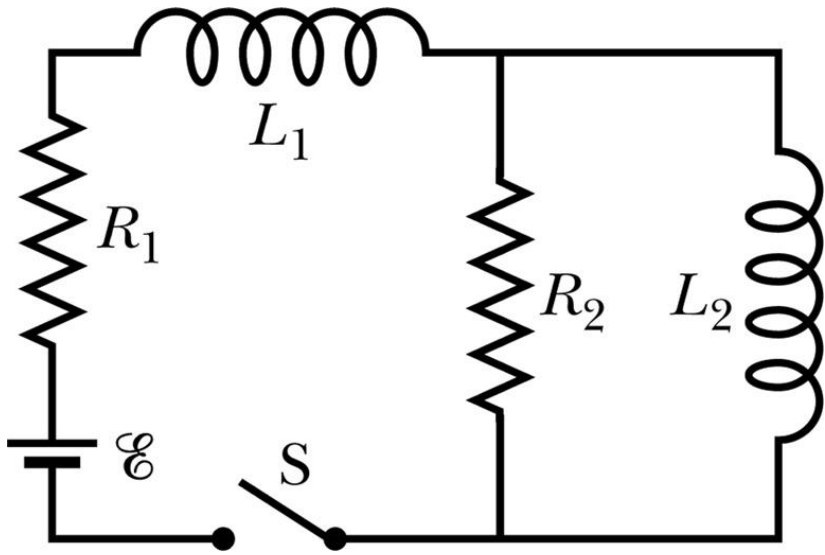


- (a) Switch closed
- (b) Long time after
- (c) Switch opened
- (d) Long time after

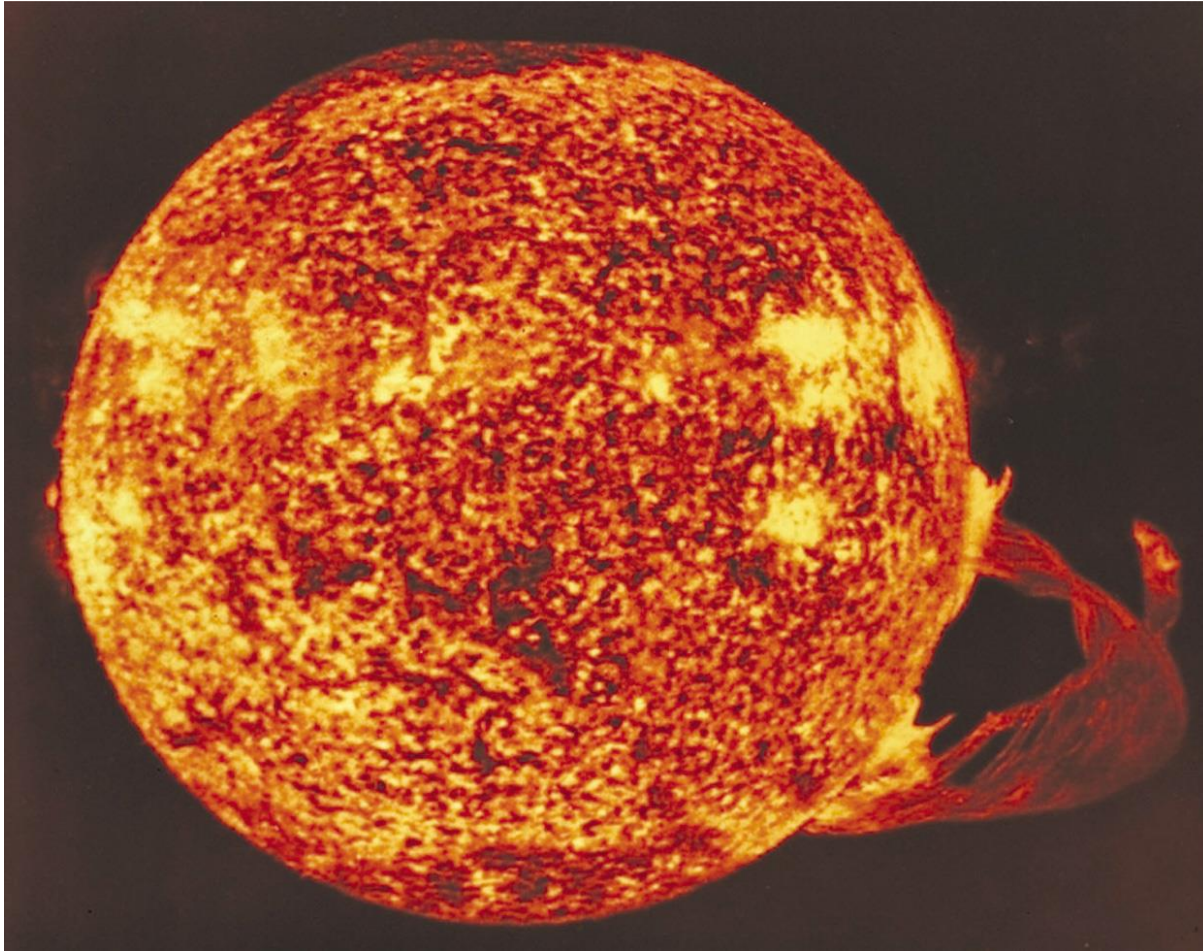
Problem



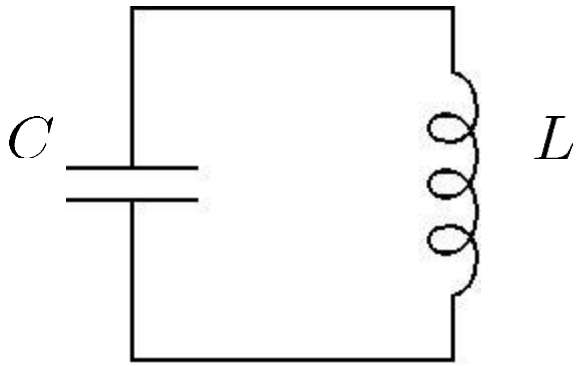
Problem



Chapter 30 Electromagnetic oscillations and currents



LC circuits



Energy stored in E and B fields

$$U_E = \frac{q^2}{2C}, \quad U_B = \frac{Li^2}{2}$$

Total energy is conserved.

electromagnetic oscillation

N. B. potential and kinetic energies of a spring

$$U = \frac{1}{2}kx^2, \quad T = \frac{1}{2}mv^2$$

퍼텐셜에너지와 운동에너지 사이의 교환

-> 용수철의 진동

LC oscillation

